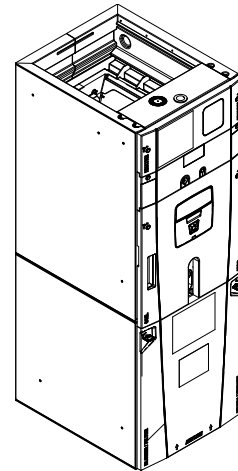




Product Data

Variable Speed Modular Multi-position Air Handlers 2–5 Tons

TAM9A0A24V21DA
TAM9A0B30V31DA
TAM9A0C36V31DA
TAM9A0C42V41DA
TAM9A0C48V41DA
TAM9A0C60V51DA



Note: "Graphics in this document are for representation only. Actual model may differ in appearance."

Note: For use with BAYEA series heaters ONLY



Table of Contents

Features and Benefits	3
Optional Accessories	4
Unique Cabinet Design Features and Benefits	5
PRODUCT SPECIFICATIONS	6
TAM9 Air Flow Performance Tables	8
HEATER ATTRIBUTE DATA	14
TAM9 Air Handler and Heater Matrix Allowable Combinations	17
Wiring — D806028P01RevD for PD.....	18
Field Wiring.....	19
Multi-position Air Handler	22
Unit Location Considerations	23
TAM9 OUTLINE DRAWING	24
SUBCOOLING ADJUSTMENT	25



Features and Benefits

- Unique cabinet design
 - 2% or less air leakage
 - Precision applied — durable door seals
 - Specially designed air seal around refrigerant, condensate and conduit connections
 - Double wall foamed cabinet system
 - R-4.2 Insulating Value (Avg Insulating Value R-8.2)
 - No loose fiber design
 - Smooth cleanable interior design
 - Sweat eliminating design
 - Composite foamed cabinet doors
 - Water proof cabinet design
 - Integrated horizontal drain pans
 - Modular cabinet
- Multi-position up/down flow horizontal left/right
- Communicating or 24 Volt control
- Control Display Assembly (CDA) with enhanced diagnostic information and setup capability
- Side return option (sold as accessory)
- Control board protection pocket built into cabinet wall
- Pre-marked Conduit Connection Locations
- Alert port to view control board codes without door removal
- Alert code notification
- Low voltage terminal connection point
- Phillips head door fasteners
- **Vortica®** blower with polarized plug connections and integrated slide deck for easy removal
- Aluminum coil with integrated slide deck for easy removal and polarized plug connections on coil EEV
- Patented enhanced coil fin
- Electronic Expansion Valve (EEV) with low ambient and low superheat compressor protection
- Dual refrigerant compatible as shipped
- Slide in electric heaters with polarized plug connections (sold as accessory)
- Slide in hot water coils with polarized plug connections (sold as accessory)
- UVC light kit with safety switch and polarized plug connections (sold as accessory)
- Labeled panels and connections
- Molded in 1" standard filter rail
- Variable speed ECM motor
- Soft start fan motor operation
- **Comfort R™** mode
- Built in fan delay modes
- Maximum width of 23.5"
- Compact 20.8" depth with doors removed
- Fused 24v power
- Safety door switch
- **5 Year Warranty**
- **10 Year Warranty Registered**
- **Optional Extended Warranty Available**



Optional Accessories

Accessory Number	Description	Fits Cabinet Size ^(a)
BAYEAC04BK1	Electric Heater, 4kW, Breaker, 24V Control, 1 Ph	A to C
BAYEAC04LG1	Electric Heater, 4kW, Lugs, 24VControl, 1 Ph	A to C
BAYEAC05BK1	Electric Heater, 5kW, Breaker, 24V Control, 1 Ph	A to C
BAYEAC05LG1	Electric Heater, 5kW, Lugs, 24VControl, 1 Ph	A to C
BAYEAC08BK1	Electric Heater, 8kW, Breaker, 24V Control, 1 Ph	A to C
BAYEAC08LG1	Electric Heater, 8kW, Lugs, 24VControl, 1 Ph	A to C
BAYEAC10BK1	Electric Heater, 10kW, Breaker, 24V Control, 1 Ph	A to C
BAYEAC10LG1	Electric Heater, 10kW, Lugs, 24VControl, 1 Ph	A to C
BAYEABC15BK1	Electric Heater, 15kW, Breaker, 24V Control, 1 Ph	B to C
BAYEABC20BK1	Electric Heater, 20kW, Breaker, 24VControl, 1 Ph	C
BAYEACC25BK1	Electric Heater, 25kW, Breaker, 24V Control, 1 Ph	C
BAYEAC10LG3	Electric Heater, 10kW, Lugs, 24VControl, 3 Ph	A to C
BAYEABC15LG3	Electric Heater, 15kW, Lugs, 24V Control, 3 Ph	B to C
BAYSUPFLGAA	Supply Duct Flange A	A
BAYSUPFLGBA	Supply Duct Flange B	B
BAYSUPFLGCA	Supply Duct Flange C	C
BAYRETFLGAA	Return Duct Flange A	A
BAYRETFLGBA	Return Duct Flange B	B
BAYRETFLGCA	Return Duct Flange C	C
BAYSRKIT100A	Side Return Kit	A to C
BAYFLR1620A	High Velocity Filter Kit, 16" x 20" x 1" (10 filters)	A
BAYFLR2020A	High Velocity Filter Kit, 20" x 20" x 1" (10 filters)	B
BAYFLR2220A	High Velocity Filter Kit, 22" x 20" x 1" (10 filters)	C
TASB175SB ^{(b)(c)}	Plenum Stand with integrated sound baffle A	A
TASB215SB ^{(b)(c)}	Plenum Stand with integrated sound baffle B	B
TASB235SB ^{(b)(c)}	Plenum Stand with integrated sound baffle C	C
MITISRKIT01A	Side Return Kit with 16" x 20" Filter	A to C
BAYFRKIT175	Front Return Kit for 17.5" Cabinet	A
BAYFRKIT210	Front Return Kit for 21.0" Cabinet	B
BAYFRKIT235	Front Return Kit for 23.5" Cabinet	C
TAYBASETAMA	Downflow Sub-Base Kit	A to C
BAYBAFKT175A ^(d)	Sound Baffle Kit for 17.5" Cabinet	A
BAYBAFKT215A ^(d)	Sound Baffle Kit for 21.0" Cabinet	B
BAYBAFKT235A ^(d)	Sound Baffle Kit for 23.5" Cabinet	C
TASSBK175 ^{(b)(e)(f)}	Sound Baffle Kit for 17.5" Cabinet	A
TASSBK210 ^{(b)(e)(f)}	Sound Baffle Kit for 21.0" Cabinet	B
TASSBK235 ^{(b)(e)(f)}	Sound Baffle Kit for 23.5" Cabinet	C
BAYICKSKIT01A	Internal Condensate Switch Kit	A to C
BAYHHKIT001A	Horizontal Hanger Kit	A to C
BAYUVCLK001A	UV Lights	A to C
BAYLVKIT100A	Low Voltage Conduit Entry Kit	A to C
BAYSPEKT200A	Single Power Entry Kit	A to C
BAYWAAA05SC1AA	Hydronic Coil — 50,000 BTUH — Slide-in	A to A
BAYWABB07SC1AA	Hydronic Coil — 70,000 BTUH — Slide-in	B to B
BAYWACC08SC1AA	Hydronic Coil — 80,000 BTUH — Slide-in	C to C
BAYWACC11SC1AA	Hydronic Coil — 100,000 BTUH — Add on	C to C
BAYWVKIT24VAC	24 Volt Hydronic Accessory Kit	A to C
BAYINSKT175A	Solcoustic® Liner Kit for 17.5" cabinet	A
BAYINSKT215A	Solcoustic® Liner Kit for 21.5" cabinet	B
BAYINSKT235A	Solcoustic® Liner Kit for 23.5" cabinet	C
BAYCNDPIP01A	3/4" PVC Threaded Pipe Kit foam Seal (10 per box)	A to C
BAYAHEMIKIT001A	EMI/EFI Air Handler Electronic noise kit for variable speed blower motor	A to C

^(a) A Cabinet is 17.5" wide, B Cabinet is 21.5" wide, C Cabinet is 23.5" wide.

^(b) Contact your distributor for information.

^(c) In open air applications, the plenum stand with sound baffle provides sound reduction.

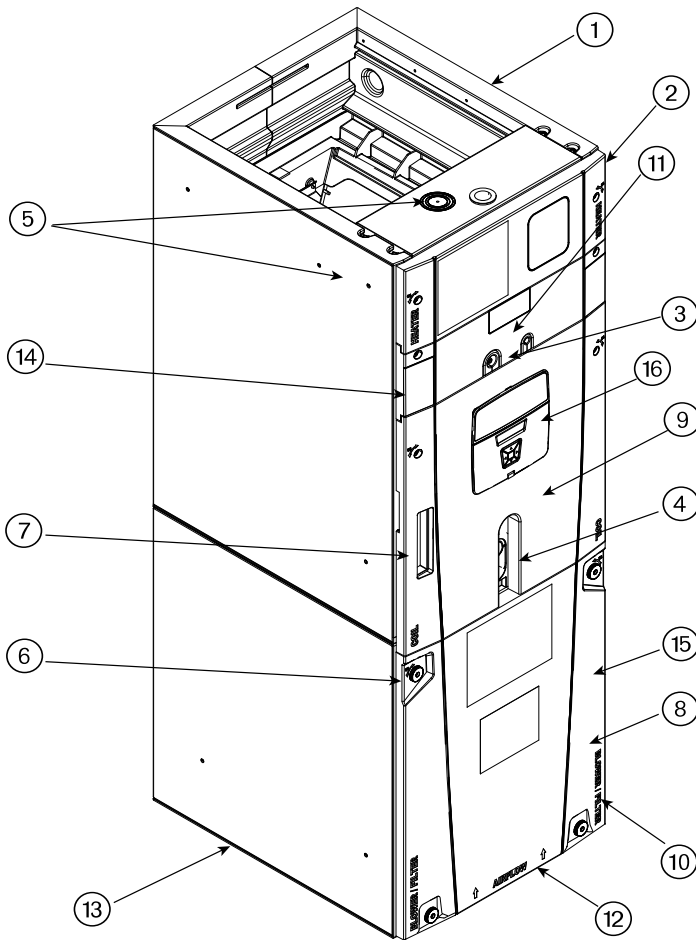
^(d) Mounts inside air handler filter channel.

^(e) In return plenum applications, use TASSBK for sound reduction.

^(f) Mounts to TASB original plenum stand without integrated baffle.



Unique Cabinet Design Features and Benefits



1	Unique Cabinet Design
	— Double wall foamed cabinet system
	— Waterproof Cabinet Design
	— R-4.2 Insulating Value (Avg Insulating Value R-8.2)
	— Composite Foamed Cabinet Doors
	— Sweat Eliminating Cabinet Design
	— Loose Fiber Eliminating Design
	— Smooth Cleanable Cabinet Design
2	Precision Durable Door Seals
3	Refrigeration Connections
4	Condensate Connections
5	Conduit Connection Locations
	— Dimples or target to mark Conduit Connection locations on Left, Right, and Top
6	Easy access large thumb screws
7	Alert Code Viewport
	— Alert codes can be Viewed Without Door Removal
	— Control Protection Pocket
8	Vortica™ Blower and Deck
	— Polarized Plug on Blower
9	All Aluminum Coil
	— Integrated Slide Deck for Easy Removal
	— Polarized Plug connections on Coil EEV
	— Patented Enhanced Coil Fin
10	Labeled Panels and Connections
11	Electronic Expansion Valve (EEV)
	— Low Ambient and Low Superheat Protection
	— Dual Refrigerant <u>Compatible</u> as Shipped
12	Maximum width is 23.5"
13	Compact 20.8" Depth with Doors Removed
14	Integrated Horizontal Drain Pans
15	Safety Door Switch
	— Fused 24V Power
16	Control Display Assembly (CDA)



PRODUCT SPECIFICATIONS

MODEL	TAM9A0A24V21DA	TAM9A0B30V31DA	TAM9A0C36V31DA
RATED VOLTS/PH/HZ.	200 — 230/1/60	200 — 230/1/60	200 — 230/1/60
RATINGS ^(a)	See O.D. Specifications	See O.D. Specifications	See O.D. Specifications
INDOOR COIL — Type	Plate Fin	Plate Fin	Plate Fin
Rows — F.P.I.	3 — 14	3 — 14	3 — 14
Face Area (sq. ft.)	3.67	5.04	5.50
Tube Size (in.)	3/8	3/8	3/8
Refrigerant Control	EEV	EEV	EEV
Drain Conn. Size (in.) ^(b)	3/4 NPT	3/4 NPT	3/4 NPT
DUCT CONNECTIONS	See Outline Drawing	See Outline Drawing	See Outline Drawing
INDOOR FAN — Type	Centrifugal	Centrifugal	Centrifugal
Diameter-Width (In.)	11 x 8	11 x 10	11 x 10
No. Used	1	1	1
Drive — No. Speeds	Direct — Variable	Direct — Variable	Direct — Variable
CFM vs. in. w.g.	See Fan Performance Table	See Fan Performance Table	See Fan Performance Table
No. Motors — H.P.	1 — 1/2	1 — 1/2	1 — 1/2
Motor Speed RPM	Variable ECM	Variable ECM	Variable ECM
Volts/Ph/Hz	208-230/1/60	208-230/1/60	208-230/1/60
F.L. Amps	3.0 — 3.5 ^(c)	3.0 — 3.5 ^(c)	3.0 — 3.5 ^(c)
FILTER			
Filter Furnished?	No	No	No
Type Recommended	Throwaway	Throwaway	Throwaway
No.-Size-Thickness	1 — 16 x 20 — 1 in.	1 — 20 x 20 — 1 in.	1 — 22 x 20 — 1 in.
REFRIGERANT	R-410A	R-410A	R-410A
Ref. Line Connections	Brazed	Brazed	Brazed
Coupling or Conn. Size-in. Gas	3/4	3/4	7/8
Coupling or Conn. Size-in. Liq.	3/8	3/8	3/8
DIMENSIONS	H x W x D	H x W x D	H x W x D
Crated (In.)	51 x 20 x 24.5	56.8 x 23.5 x 24.5	58 x 25.5 x 24.5
Uncrated	49.9 x 17.5 x 21.8	55.7 x 21.3 x 21.8	56.9 x 23.5 x 21.8
WEIGHT			
Shipping (Lbs.)/Net (Lbs.)	126/116	150/138	157/146

^(a) These Air Handlers are AHRI certified with various Split System Air Conditioners and Heat Pumps (AHRI STANDARD 210/240).

^(b) 3/4" Male Plastic Pipe (Ref.:ASTM 1785-76)

^(c) Check motor nameplate for actual FLA



PRODUCT SPECIFICATIONS

MODEL	TAM9A0C42CV41DA	TAM9A0C48V41DA	TAM9A0C60V51DA
RATED VOLTS/PH/HZ.	200 – 230/1/60	200 – 230/1/60	200 – 230/1/60
RATINGS ^(a)	See O.D. Specifications	See O.D. Specifications	See O.D. Specifications
INDOOR COIL – Type	Plate Fin	Plate Fin	Plate Fin
Rows – F.P.I.	4– 14	4– 14	4– 14
Face Area (sq. ft.)	5.04	5.96	5.96
Tube Size (in.)	3/8	3/8	3/8
Refrigerant Control	EEV	EEV	EEV
Drain Conn. Size (in.) ^(b)	3/4 NPT	3/4 NPT	3/4 NPT
DUCT CONNECTIONS	See Outline Drawing	See Outline Drawing	See Outline Drawing
INDOOR FAN – Type	Centrifugal	Centrifugal	Centrifugal
Diameter-Width (In.)	11 x 10	11 x 10	11 x 10
No. Used	1	1	1
Drive – No. Speeds	Direct – Variable	Direct – Variable	Direct – Variable
CFM vs. in. w.g.	See Fan Performance Table	See Fan Performance Table	See Fan Performance Table
No. Motors – H.P.	1 – 1/2	1 – 3/4	1 – 1
Motor Speed RPM	Variable ECM	Variable ECM	Variable ECM
Volts/Ph/Hz	208–230/1/60	208–230/1/60	208–230/1/60
F.L. Amps	3.0 – 3.5 ^(c)	5.0	6.4
FILTER			
Filter Furnished?	No	No	No
Type Recommended	Throwaway	Throwaway	Throwaway
No.-Size-Thickness	1 – 22 x 20 – 1 in.	1 – 22 x 20 – 1 in.	1 – 22 x 20 – 1 in.
REFRIGERANT	R-410A	R-410A	R-410A
Ref. Line Connections	Brazed	Brazed	Brazed
Coupling or Conn. Size-in. Gas	7/8	7/8	7/8
Coupling or Conn. Size-in. Liq.	3/8	3/8	3/8
DIMENSIONS	H x W x D	H x W x D	H x W x D
Crated (In.)	58 x 25.5 x 24.5	62.8 x 25.5 x 24.5	62.8 x 25.5 x 24.5
Uncrated	56.9 x 23.5 x 21.8	61.7 x 23.5 x 21.8	61.7 x 23.5 x 21.8
WEIGHT			
Shipping (Lbs.)/Net (Lbs.)	162/150	174/162	175/163

^(a) These Air Handlers are AHRI certified with various Split System Air Conditioners and Heat Pumps (AHRI STANDARD 210/240).

^(b) 3/4" Male Plastic Pipe (Ref.:ASTM 1785–76)

^(c) Check motor nameplate for actual FLA.



TAM9 Air Flow Performance Tables

OUTDOOR MULTIPLIER (TONS)	TAM9A0A24 AIRFLOW PERFORMANCE										CONSTANT CFM MODE / CONSTANT TORQUE MODE													
	EXTERNAL STATIC PRESSURE (Constant CFM/Torque)					CONSTANT CFM/Constant Torque					HEATING AIRFLOW SETTING	AIRFLOW POWER	EXTERNAL STATIC PRESSURE											
	0.1	0.3	0.5	0.7	0.9	0.1	0.3	0.5	0.7	0.9			0.1	0.3	0.5	0.7	0.9							
1.5 tons	290 CFM/ton	407/546	430/403	398/NA	347/NA	255/NA	290 CFM/ton	416	426	401	330	291	290 CFM/ton	407/546	430/403	398/NA	347/NA	255/NA	290 CFM/ton	416	426	401	330	291
	350 CFM/ton	534/630	549/531	542/360	509/NA	445/NA	350 CFM/ton	532	550	542	507	434	350 CFM/ton	534/630	549/531	542/360	509/NA	445/NA	350 CFM/ton	532	550	542	507	434
	400 CFM/ton	617/697	633/617	632/501	604/NA	559/NA	400 CFM/ton	660	680	679	658	614	400 CFM/ton	617/697	633/617	632/501	604/NA	559/NA	400 CFM/ton	660	680	679	658	614
	450 CFM/ton	691/762	710/693	707/602	688/478	649/NA	450 CFM/ton	690	710	709	690	651	450 CFM/ton	691/762	710/693	707/602	688/478	649/NA	450 CFM/ton	690	710	709	690	651
	290 CFM/ton	593/680	613/595	607/470	583/208	527/132	290 CFM/ton	593	613	608	582	527	290 CFM/ton	593/680	613/595	607/470	583/208	527/132	290 CFM/ton	593	613	608	582	527
2 tons †	350 CFM/ton	717/783	733/717	733/632	714/519	678/355	350 CFM/ton	714	734	734	716	679	350 CFM/ton	717/783	733/717	733/632	714/519	678/355	350 CFM/ton	714	734	734	716	679
	400 † CFM/ton	810/868	827/811	827/740	813/652	782/543	400 † CFM/ton	862	881	884	874	849	400 † CFM/ton	810/868	827/811	827/740	813/652	782/543	400 † CFM/ton	862	881	884	874	849
	450 CFM/ton	903/954	918/902	920/839	909/764	884/674	450 CFM/ton	899	917	921	912	889	450 CFM/ton	903/954	918/902	920/839	909/764	884/674	450 CFM/ton	899	917	921	912	889
	290 CFM/ton	741/820	757/759	757/681	739/582	705/452	290 CFM/ton	738	757	758	742	707	290 CFM/ton	741/820	757/759	757/681	739/582	705/452	290 CFM/ton	738	757	758	742	707
	350 CFM/ton	880/947	896/895	896/832	885/757	859/665	350 CFM/ton	876	895	898	888	864	350 CFM/ton	880/947	896/895	896/832	885/757	859/665	350 CFM/ton	876	895	898	888	864
2.5 tons	400 CFM/ton	996/1059	1011/1011	1014/954	1006/887	985/807	400 CFM/ton	1064	1083	1089	1084	1066	400 CFM/ton	996/1059	1011/1011	1014/954	1006/887	985/807	400 CFM/ton	1064	1083	1089	1084	1066
	450 CFM/ton	1120/1180	1135/1134	1137/1081	1129/1019	1108/946	450 CFM/ton	1115	1133	1139	1133	1116	450 CFM/ton	1120/1180	1135/1134	1137/1081	1129/1019	1108/946	450 CFM/ton	1115	1133	1139	1133	1116
	290 CFM/ton	875/943	891/891	892/891	880/751	854/659	290 CFM/ton	871	890	894	883	859	290 CFM/ton	875/943	891/891	892/891	880/751	854/659	290 CFM/ton	871	890	894	883	859
	350 CFM/ton	1045/1106	1060/1059	1063/1004	1055/939	1035/862	350 CFM/ton	1040	1058	1064	1059	1041	350 CFM/ton	1045/1106	1060/1059	1063/1004	1055/939	1035/862	350 CFM/ton	1040	1058	1064	1059	1041
	400 CFM/ton	1200/1257	1212/1211	1212/1159	1200/1099	1129/1030	400 CFM/ton	1291	1302	1300	1220	1138	400 CFM/ton	1200/1257	1212/1211	1212/1159	1200/1099	1129/1030	400 CFM/ton	1291	1302	1300	1220	1138
3 tons	450 CFM/ton	1358/1403	1333/1359	1256/1308	1177/1251	1095/1187	450 CFM/ton	1355	1360	1286	1208	1128	450 CFM/ton	1358/1403	1333/1359	1256/1308	1177/1251	1095/1187	450 CFM/ton	1355	1360	1286	1208	1128
	290 CFM/ton	1200/1257	1212/1211	1212/1159	1200/1099	1129/1030	290 CFM/ton	1202	1257	1257	1259	1295	290 CFM/ton	1200/1257	1212/1211	1212/1159	1200/1099	1129/1030	290 CFM/ton	1202	1257	1257	1259	1295
	350 CFM/ton	1045/1106	1060/1059	1063/1004	1055/939	1035/862	350 CFM/ton	1040	1058	1064	1059	1041	350 CFM/ton	1045/1106	1060/1059	1063/1004	1055/939	1035/862	350 CFM/ton	1040	1058	1064	1059	1041
	400 CFM/ton	1200/1257	1212/1211	1212/1159	1200/1099	1129/1030	400 CFM/ton	1291	1302	1300	1220	1138	400 CFM/ton	1200/1257	1212/1211	1212/1159	1200/1099	1129/1030	400 CFM/ton	1291	1302	1300	1220	1138
	450 CFM/ton	1358/1403	1333/1359	1256/1308	1177/1251	1095/1187	450 CFM/ton	1355	1360	1286	1208	1128	450 CFM/ton	1358/1403	1333/1359	1256/1308	1177/1251	1095/1187	450 CFM/ton	1355	1360	1286	1208	1128

- † Factory Setting
- Status LED will blink once per 100 CFM requested. In torque mode, actual airflow may be lower.
- Torque mode will reduce airflow when static is above approximately 0.3" water column.
- All heating modes default to Constant CFM.
- Cooling airflow values are with wet coil, no filter

TAM9A0A24 Minimum Heating Airflow Settings

MODEL NO.	BAYEAC08BK1 BAYEAC08LG1	BAYEAC10BK1 BAYEAC10LG1	BAYEAC10LG3	BAYEACB15BK1 BAYEACB15LG3	BAYEAC20BK1
TAM9A0A24	638/900	638/900	600/713	-	-

WITHOUT HEAT PUMP / WITH HP — SEE AIR HANDLER NAMEPLATE FOR APPROVED COMBINATIONS

(a) Factory heating default setting is 430 CFM/ton

TAM9 Air Flow Performance Tables

TAM9A0B30 AIRFLOW PERFORMANCE CONSTANT CFM MODE / CONSTANT TORQUE MODE														
OUTDOOR MULTIPLIER (TONS)	COOLING AIRFLOW SETTING	AIRFLOW POWER	EXTERNAL STATIC PRESSURE (Constant CFM / Constant Torque)					HEATING AIRFLOW SETTING	AIRFLOW POWER	EXTERNAL STATIC PRESSURE				
			0.1	0.3	0.5	0.7	0.9			0.1	0.3	0.5	0.7	0.9
1.5 tons	290 CFM/ton	CFM Watts	492/581 22/30	442/397 45/41	408/NA 71/NA	353/NA 98/NA	221/NA 129/NA	290 CFM/ton	CFM Watts	485 21	437 44	393 69	349 97	300 130
	350 CFM/ton	CFM Watts	576/664 30/40	553/515 58/54	527/NA 87/NA	493/NA 117/NA	472/NA 150/NA	350 CFM/ton	CFM Watts	574 29	545 56	517 85	489 115	457 146
	400 CFM/ton	CFM Watts	644/730 38/49	633/598 70/65	612/403 102/72	590/NA 134/NA	563/NA 167/NA	400 CFM/ton	CFM Watts	643 37	624 67	605 99	583 132	559 165
	450 CFM/ton	CFM Watts	711/794 47/60	708/673 83/77	691/510 118/86	678/NA 154/NA	656/NA 189/NA	450 CFM/ton	CFM Watts	709 45	698 80	684 115	669 151	649 186
	290 CFM/ton	CFM Watts	627/713 36/47	611/576 66/62	589/369 98/68	568/NA 130/NA	542/NA 163/NA	290 CFM/ton	CFM Watts	625 35	603 64	582 95	559 127	533 160
2 tons †	350 CFM/ton	CFM Watts	734/815 51/64	730/698 87/82	717/541 124/91	705/NA 161/NA	684/NA 197/NA	350 CFM/ton	CFM Watts	731 49	722 84	710 120	696 157	677 193
	400 † CFM/ton	CFM Watts	822/898 66/81	824/792 107/101	817/657 149/112	811/NA 191/NA	797/NA 231/NA	400 (a) CFM/ton	CFM Watts	817 63	815 103	811 145	801 186	788 226
	450 CFM/ton	CFM Watts	910/982 85/102	916/884 131/123	916/763 178/136	914/610 226/140	904/NA 270/NA	450 CFM/ton	CFM Watts	902 80	907 126	908 172	904 219	895 263
	290 CFM/ton	CFM Watts	755/860 54/73	753/749 92/91	742/606 130/102	732/397 168/104	712/NA 205/NA	290 CFM/ton	CFM Watts	753 52	745 88	735 126	723 164	706 201
	350 CFM/ton	CFM Watts	887/985 80/102	893/887 125/124	891/767 170/137	888/614 217/141	876/NA 260/NA	350 CFM/ton	CFM Watts	881 75	884 120	884 165	879 210	868 253
2.5 tons	400 CFM/ton	CFM Watts	998/1094 107/134	1010/1003 160/158	1017/895 213/173	1018/765 266/179	1008/NA 315/NA	400 CFM/ton	CFM Watts	989 100	1001 152	1008 205	1008 257	1000 306
	450 CFM/ton	CFM Watts	1116/1212 143/176	1135/1126 205/201	1147/1027 267/219	1148/911 325/227	1134/NA 376/NA	450 CFM/ton	CFM Watts	1104 133	1124 194	1136 255	1139 314	1128 366
	290 CFM/ton	CFM Watts	883/981 79/101	888/882 124/122	887/762 169/136	881/608 214/140	870/NA 257/NA	290 CFM/ton	CFM Watts	877 74	880 118	879 164	874 208	863 252
	350 CFM/ton	CFM Watts	1043/1140 120/150	1059/1051 177/174	1068/947 233/190	1069/823 288/197	1059/NA 339/NA	350 CFM/ton	CFM Watts	1034 112	1049 168	1058 224	1061 279	1053 330
	400 CFM/ton	CFM Watts	1190/1304 170/203	1214/1221 238/231	1226/1126 304/251	1223/1016 364/261	1201/886 414/261	400 CFM/ton	CFM Watts	1177 157	1201 224	1215 291	1215 352	1198 403
3 tons	450 CFM/ton	CFM Watts	1355/1471 241/282	1376/1391 318/311	1375/1302 386/333	1353/1201 441/345	1296/1086 472/345	450 CFM/ton	CFM Watts	1338 221	1363 299	1368 369	1350 427	1314 472
	<ul style="list-style-type: none"> † Factory Setting Status LED will blink once per 100 CFM requested. In torque mode, actual airflow may be lower. Torque mode will reduce airflow when static is above approximately 0.35" water column. All heating modes default to Constant CFM. Cooling airflow values are with wet coil, no filter 													
TAM9A0B30 Minimum Heating Airflow Settings														
MODEL NO.	BAYEAAC04BK1 BAYEAAC04LG1 BAYEAAC05BK1 BAYEAAC05LG1	BAYEAAC08BK1 BAYEAAC08LG1	BAYEAAC10BK1 BAYEAAC10LG1	BAYEAAC10LG3	BAYEABC15BK1	BAYEABC15LG3	BAYEABC20BK1							
TAM9A0B30	723/808	723/1020	765/1020	680/808	765/1063	850/1105	-							
WITHOUT HEAT PUMP / WITH HP — SEE AIR HANDLER NAMEPLATE														

(a) Factory heating default setting is 430 CFM/ton



TAM9 Air Flow Performance Tables

TAM9A0C36 AIRFLOW PERFORMANCE CONSTANT CFM MODE / CONSTANT TORQUE MODE														
OUTDOOR MULTIPLIER (TONS)	COOLING AIRFLOW SETTING	AIRFLOW POWER	EXTERNAL STATIC PRESSURE (Constant CFM / Constant Torque)				HEATING AIRFLOW SETTING	AIRFLOW POWER	EXTERNAL STATIC PRESSURE					
			0.1	0.3	0.5	0.7			0.9	0.1	0.3	0.5	0.7	0.9
2 tons	290 CFM/ton	CFM Watts	605/747 31/48	573/565 59/58	553/306 88/62	548/NA 120/NA	546/NA 153/NA	290 CFM/ton	CFM Watts	606 31	574 58	557 87	551 119	549 152
	370 CFM/ton	CFM Watts	755/880 50/70	745/738 85/85	737/575 121/93	738/367 160/97	735/NA 197/NA	350 CFM/ton	CFM Watts	720 43	705 77	695 111	694 148	691 184
	400 CFM/ton	CFM Watts	810/929 58/80	804/797 97/96	800/650 136/106	802/478 176/111	802/231 216/120	400 CFM/ton	CFM Watts	810 56	805 95	800 134	803 174	802 214
	450 CFM/ton	CFM Watts	900/1011 75/98	900/893 118/117	902/764 162/129	905/624 207/136	906/462 251/140	450 CFM/ton	CFM Watts	900 72	900 115	903 159	906 204	907 248
	290 CFM/ton	CFM Watts	742/891 48/72	729/752 82/87	722/592 118/96	721/394 155/99	720/NA 193/NA	290 CFM/ton	CFM Watts	742 46	731 81	722 117	722 154	720 191
2.5 tons	370 CFM/ton	CFM Watts	922/1055 80/109	923/942 124/128	927/820 170/142	930/690 215/150	931/546 260/154	350 CFM/ton	CFM Watts	877 68	877 110	876 152	880 196	880 239
	400 CFM/ton	CFM Watts	989/1118 95/127	995/1012 143/148	1002/899 193/163	1008/779 242/173	1010/652 290/177	400 CFM/ton	CFM Watts	989 90	995 139	1000 188	1008 258	1008 285
	450 CFM/ton	CFM Watts	1103/1228 125/162	1117/1131 181/185	1129/1028 238/203	1137/921 294/215	1137/809 346/221	450 CFM/ton	CFM Watts	1102 119	1116 175	1127 231	1137 288	1138 340
	290 CFM/ton	CFM Watts	872/1009 70/97	871/890 111/116	871/761 154/128	874/620 197/135	874/457 240/139	290 CFM/ton	CFM Watts	871 67	872 109	871 151	874 195	875 237
	370 CFM/ton	CFM Watts	1089/1214 121/157	1102/1116 176/180	1114/1013 232/198	1121/905 287/209	1122/791 339/215	350 CFM/ton	CFM Watts	1033 101	1043 152	1051 204	1059 257	1061 307
3 tons †	400 CFM/ton	CFM Watts	1175/1298 147/188	1193/1205 208/212	1208/1107 270/231	1215/1006 329/244	1211/899 382/251	400 CFM/ton	CFM Watts	1171 139	1191 200	1205 262	1215 322	1212 376
	450 CFM/ton	CFM Watts	1329/1447 204/253	1353/1361 276/279	1366/1270 345/299	1363/1176 406/313	1343/1077 456/321	450 CFM/ton	CFM Watts	1324 192	1349 264	1364 334	1364 396	1347 448
	290 CFM/ton	CFM Watts	1002/1131 98/130	1009/1026 147/152	1017/914 198/167	1023/797 248/177	1024/671 296/182	290 CFM/ton	CFM Watts	997 92	1010 143	1016 197	1022 248	1027 293
	370 CFM/ton	CFM Watts	1270/1391 181/227	1293/1302 249/252	1308/1210 316/272	1311/1113 377/286	1297/1012 429/293	350 CFM/ton	CFM Watts	1196 146	1217 210	1231 272	1241 334	1234 387
	400 CFM/ton	CFM Watts	1383/1499 227/278	1407/1414 303/305	1416/1325 372/325	1406/1233 431/340	1380/1136 478/348	400 CFM/ton	CFM Watts	1379 214	1404 289	1415 360	1330 378	1390 473
3.5 tons	450 CFM/ton	CFM Watts	1579/1669 326/375	1583/1587 402/402	1567/1502 464/423	1474/1413 475/437	1357/1320 468/444	450 CFM/ton	CFM Watts	1499 268	1508 342	1586 460	1504 478	1390 472
	<ul style="list-style-type: none"> † Factory Setting Status LED will blink once per 100 CFM requested. In torque mode, actual airflow may be lower. Torque mode will reduce airflow when static is above approximately 0.35" water column. All heating modes default to Constant CFM. Cooling airflow values are with wet coil, no filter 													

TAM9A0C36 Minimum Heating Airflow Settings

MODEL NO.	BAYEAC04BK1 BAYEAC04LG1 BAYEAC05BK1 BAYEAC05LG1	BAYEAC08BK1 BAYEAC08LG1	BAYEAC10BK1 BAYEAC10LG1	BAYEAC10LG3	BAYEABC15BK1	BAYEACB15LG3	BAYEABC20BK1
TAM9A0C36	876/979	876/1236	927/1236	824/979	927/1288	1030/1339	-
WITHOUT HEAT PUMP / WITH HP — SEE AIR HANDLER NAMEPLATE							

(e) Factory heating default setting is 420 CFM/ton

TAM9 Air Flow Performance Tables

TAM9A0C42 AIRFLOW PERFORMANCE CONSTANT CFM MODE / CONSTANT TORQUE MODE												
OUTDOOR MULTIPLIER (TONS)	EXTERNAL STATIC PRESSURE (Constant CFM / Constant Torque)			HEATING AIRFLOW SETTING	AIRFLOW POWER	EXTERNAL STATIC PRESSURE						
	0.1	0.3	0.5			0.7	0.9	0.1	0.3	0.5	0.7	0.9
2.5 tons	290 CFM/ton	747/905	743/764	742/591	741/342	739/NA	290 CFM/ton	744	741	740	738	734
	370 CFM/ton	937/1072	942/956	946/823	947/655	944/458	350 CFM/ton	889	892	894	894	890
	400 CFM/ton	1006/1136	1014/1027	1020/903	1022/760	1019/586	400 CFM/ton	1006	1016	1018	1019	1016
	450 CFM/ton	1122/1247	1135/1146	1143/1035	1146/911	1142/768	450 CFM/ton	1122	1135	1142	1144	1140
	370 CFM/ton	95/138	148/159	201/173	253/178	302/177	290 CFM/ton	103	156	209	160	308
	450 CFM/ton	125/176	185/200	245/216	303/224	357/223	450 CFM/ton	136	196	256	313	366
3 tons	290 CFM/ton	885/1026	889/904	891/763	892/590	889/341	290 CFM/ton	884	887	889	889	885
	370 CFM/ton	1108/1233	1120/1132	1128/1019	1131/893	1128/747	350 CFM/ton	1053	1062	1067	1069	1066
	400 CFM/ton	121/171	181/195	240/210	297/218	350/217	400 CFM/ton	115	171	227	280	330
	450 CFM/ton	1194/1316	1208/1220	1218/1115	1221/999	1215/868	450 CFM/ton	1196	1209	1218	1219	1212
	370 CFM/ton	147/204	212/229	276/246	337/255	393/256	370 CFM/ton	160	225	289	349	403
	450 CFM/ton	1343/1463	1361/1374	1371/1279	1368/1175	1352/1061	450 CFM/ton	1347	1363	1371	1366	1342
3.5 tons †	290 CFM/ton	200/272	275/300	348/320	413/331	469/334	290 CFM/ton	220	295	367	430	480
	370 CFM/ton	1020/1149	1028/1041	1034/919	1037/779	1034/609	370 CFM/ton	1020	1028	1033	1173	1031
	400 CFM/ton	99/142	152/164	206/178	259/183	308/182	400 CFM/ton	107	160	214	327	315
	450 CFM/ton	1287/1408	1304/1317	1314/1218	1315/1110	1304/981	450 CFM/ton	1220	1234	1243	1244	1236
	370 CFM/ton	179/245	250/272	320/291	384/301	441/303	370 CFM/ton	169	236	301	362	417
	400 CFM/ton	1395/1514	1413/1427	1421/1334	1415/1233	1369/1124	400 CFM/ton	1440	1416	1421	1411	1355
4 tons	290 CFM/ton	221/299	300/328	374/348	440/361	480/364	290 CFM/ton	244	322	395	458	475
	370 CFM/ton	1584/1687	1593/1605	1576/1518	1474/1425	1350/1326	370 CFM/ton	1589	1592	1545	1434	1315
	400 CFM/ton	313/405	399/435	467/458	477/472	468/477	400 CFM/ton	347	428	474	473	463
	450 CFM/ton	1156/1302	1169/1205	1178/1098	1181/981	1174/848	450 CFM/ton	1157	1169	1177	1179	1174
	370 CFM/ton	135/197	197/222	259/239	319/248	383/249	370 CFM/ton	147	209	271	330	383
	400 CFM/ton	1487/1618	1500/1534	1496/1445	1445/1350	1319/1248	400 CFM/ton	1400	1416	1421	1411	1335
4 tons	290 CFM/ton	288/359	369/389	441/411	481/425	470/429	290 CFM/ton	244	322	395	458	475
	370 CFM/ton	1616/1728	1614/1646	1543/1543	1423/1423	1301/1301	370 CFM/ton	1615	1615	1545	1431	1313
	400 CFM/ton	363/433	443/464	475/475	472/472	463/463	400 CFM/ton	363	444	474	471	462
	450 CFM/ton	1711/1711	1621/1621	1514/1514	1393/1393	1273/1273	450 CFM/ton	1716	1629	1528	1411	1297
		432/432	456/456	465/465	460/460	453/453		430	453	462	458	452

- † Factory Setting
- Status LED will blink once per 100 CFM requested. In torque mode, actual airflow may be lower.
- Torque mode will reduce airflow when static is above approximately 0.35" water column.
- All heating modes default to Constant CFM.
- Cooling airflow values are with wet coil, no filter

TAM9A0C42 Minimum Heating Airflow Settings

MODEL NO.	BAYEAC04BK1 BAYEAC04LG1 BAYEAC05BK1 BAYEAC05LG1	BAYEAC08BK1 BAYEAC08LG1	BAYEAC10BK1 BAYEAC10LG1	BAYEAC10LG3	BAYEABC15BK1	BAYEACB15LG3	BAYEABC20BK1
TAM9A0C42	978/1093	978/1380	1035/1380	920/1093	1035/1438	1150/1495	1380/1610
WITHOUT HEAT PUMP / WITH HP — SEE AIR HANDLER NAMEPLATE							



TAM9 Air Flow Performance Tables

OUTDOOR MULTIPLIER (TONS)	TAM9A0C48 AIRFLOW PERFORMANCE										CONSTANT CFM MODE / CONSTANT TORQUE MODE									
	EXTERNAL STATIC PRESSURE (Constant CFM / Constant Torque)					HEATING AIRFLOW SETTING					AIRFLOW POWER					EXTERNAL STATIC PRESSURE				
	0.1	0.3	0.5	0.7	0.9	290 CFM/ton	350 CFM/ton	400 CFM/ton	450 CFM/ton	290 CFM/ton	350 CFM/ton	400 CFM/ton	450 CFM/ton	0.1	0.3	0.5	0.7	0.9		
3 tons	894 / 1018	900 / 897	896 / 767	886 / 622	871 / 445	290	350	400	450	290	350	400	450	893	900	893	883	864		
	69 / 91	114 / 114	157 / 130	195 / 137	229 / 136	CFM/ton	CFM/ton	CFM/ton	CFM/ton	CFM/ton	CFM/ton	CFM/ton	CFM/ton	72	118	893	197	230		
	1067 / 1180	1073 / 1078	1072 / 972	1065 / 859	1053 / 738	350	400	450	400	350	400	450	1068	1073	1070	1062	1049			
	106 / 132	158 / 160	208 / 180	252 / 192	292 / 194	CFM/ton	CFM/ton	CFM/ton	CFM/ton	CFM/ton	CFM/ton	CFM/ton	112	164	213	257	295			
	1205 / 1314	1212 / 1222	1213 / 1128	1208 / 1029	1199 / 926	400	450	400	450	400	450	1207	1212	1212	1206	1196				
	145 / 176	203 / 206	259 / 229	309 / 244	354 / 249	CFM/ton	CFM/ton	CFM/ton	CFM/ton	CFM/ton	CFM/ton	154	212	266	315	359				
	1343 / 1451	1352 / 1367	1355 / 1280	1353 / 1190	1346 / 1098	450	400	450	400	450	400	1344	1352	1354	1352	1344				
	193 / 232	259 / 264	320 / 289	377 / 305	427 / 313	CFM/ton	CFM/ton	CFM/ton	CFM/ton	CFM/ton	CFM/ton	206	270	331	387	436				
	1034 / 1149	1041 / 1044	1038 / 934	1031 / 817	1018 / 690	290	350	400	450	290	350	400	1034	1040	1037	1028	1014			
	98 / 123	149 / 150	197 / 170	240 / 181	279 / 182	CFM/ton	CFM/ton	CFM/ton	CFM/ton	CFM/ton	CFM/ton	103	154	202	244	281				
3.5 tons	1228 / 1336	1235 / 1246	1236 / 1153	1232 / 1056	1224 / 955	350	400	450	400	350	400	450	1229	1235	1236	1230	1220			
	152 / 185	212 / 215	268 / 238	319 / 253	365 / 259	CFM/ton	CFM/ton	CFM/ton	CFM/ton	CFM/ton	CFM/ton	162	221	276	326	371				
	1389 / 1498	1399 / 1415	1403 / 1331	1401 / 1244	1395 / 1154	400	450	400	450	400	450	1392	1400	1403	1400	1394				
	212 / 253	280 / 286	343 / 311	402 / 328	455 / 336	CFM/ton	CFM/ton	CFM/ton	CFM/ton	CFM/ton	CFM/ton	226	293	356	413	465				
	1558 / 1669	1570 / 1592	1575 / 1514	1575 / 1434	1568 / 1351	450	400	450	400	450	400	1561	1572	1576	1574	1567				
	290 / 343	367 / 377	439 / 404	505 / 422	563 / 432	CFM/ton	CFM/ton	CFM/ton	CFM/ton	CFM/ton	CFM/ton	310	386	457	521	577				
	1168 / 1298	1175 / 1205	1175 / 1109	1170 / 1010	1160 / 905	290	350	400	450	290	350	400	1168	1176	1174	1168	1157			
	133 / 170	191 / 200	244 / 223	293 / 237	336 / 242	CFM/ton	CFM/ton	CFM/ton	CFM/ton	CFM/ton	CFM/ton	141	198	251	299	341				
	1389 / 1517	1399 / 1436	1403 / 1352	1401 / 1266	1395 / 1177	350	400	450	400	350	400	1392	1400	1403	1400	1394				
	212 / 262	280 / 295	343 / 321	402 / 338	455 / 346	CFM/ton	CFM/ton	CFM/ton	CFM/ton	CFM/ton	CFM/ton	226	293	356	413	465				
4 tons †	1583 / 1714	1595 / 1639	1601 / 1562	1600 / 1483	1593 / 1401	400	450	400	450	400	450	1586	1597	1601	1599	1591				
	303 / 370	382 / 546	455 / 431	521 / 450	580 / 459	CFM/ton	CFM/ton	CFM/ton	CFM/ton	CFM/ton	CFM/ton	325	402	474	538	595				
	1790 / 1918	1800 / 184	1808 / 1775	1793 / 1701	1698 / 1625	450	400	450	400	450	400	1794	1801	1800	1766	1667				
	429 / 511	8515 / 546	594 / 573	663 / 592	660 / 601	CFM/ton	CFM/ton	CFM/ton	CFM/ton	CFM/ton	CFM/ton	459	544	620	665	655				
	1301 / 1429	1310 / 1344	1312 / 1256	1309 / 1165	1302 / 1071	290	350	400	450	290	350	1302	1310	1311	1309	1301				
	177 / 222	241 / 253	300 / 278	355 / 294	404 / 302	CFM/ton	CFM/ton	CFM/ton	CFM/ton	CFM/ton	CFM/ton	189	252	310	355	403				
	1558 / 1688	1570 / 1613	1575 / 1535	1575 / 1455	1568 / 1373	350	400	450	400	350	400	1557	1570	1575	1575	1569				
	290 / 354	367 / 389	439 / 415	505 / 434	563 / 444	CFM/ton	CFM/ton	CFM/ton	CFM/ton	CFM/ton	CFM/ton	290	367	439	505	563				
	1790 / 1918	1800 / 1848	1801 / 1775	1793 / 1701	1698 / 1625	400	450	400	450	400	450	1789	1799	1801	1794	1701				
	429 / 511	515 / 546	594 / 573	663 / 592	660 / 601	CFM/ton	CFM/ton	CFM/ton	CFM/ton	CFM/ton	CFM/ton	428	515	594	663	659				
4.5 tons**	2018 / 2018	1973 / 1973	1857 / 1857	1749 / 1749	1651 / 1651	450	400	450	400	450	400	2018	1975	1863	1757	1660				
	605 / 605	656 / 656	645 / 645	637 / 637	631 / 631	CFM/ton	CFM/ton	CFM/ton	CFM/ton	CFM/ton	CFM/ton	605	656	643	634	628				
	<ul style="list-style-type: none"> † Factory Setting ** Not an actual OD size Status LED will blink once per 100 CFM requested. In torque mode, actual airflow may be lower. Torque mode will reduce airflow when static is above approximately 0.4" water column. 																			
	<ul style="list-style-type: none"> If the air handler is applied in downflow or horizontal configurations, the airflow should not exceed 2000 CFM. Airflow above 2000 CFM could result in water blow-off. All heating modes default to Constant CFM. Cooling airflow values are with wet coil, no filter 																			
	TAM9A0C48 Minimum Heating Airflow Settings																			
	MODEL NO.	BAYEAC04BK1 BAYEAC04LG1 BAYEAC05BK1 BAYEAC05LG1	BAYEAC08BK1 BAYEAC08LG1	BAYEAC10BK1 BAYEAC10LG1	BAYEAC10LG3	BAYEABC15BK1	BAYEACB15LG3	BAYEABC20BK1	BAYEACC25BK1											
	TAM9A0C48	1063 / 1188	1125 / 1500	1000 / 1188	1125 / 1563	1250 / 1625	1500 / 1750	1625 / 1813												
	WITHOUT HEAT PUMP / WITH HP — SEE AIR HANDLER NAMEPLATE																			

TAM9 Air Flow Performance Tables

OUTDOOR MULTIPLIER (TONS)	TAM9A0C60 AIRFLOW PERFORMANCE										CONSTANT CFM MODE / CONSTANT TORQUE MODE									
	EXTERNAL STATIC PRESSURE (Constant CFM / Constant Torque)					COOLING AIRFLOW SETTING	AIRFLOW POWER	HEATING AIRFLOW SETTING					AIRFLOW POWER	EXTERNAL STATIC PRESSURE						
	0.1	0.3	0.5	0.7	0.9			290	370	400	450	290		350	400	450	0.1	0.3	0.5	0.7
3.5 tons	1040 / 1151	1068 / 1056	1075 / 941	1066 / 799	1046 / 607	290	CFM	290	CFM/ton	290	CFM	1039	1065	1071	1063	1045	1045	1045	1045	
	94 / 119	151 / 148	203 / 168	247 / 175	283 / 165	370	Watts	350	CFM/ton	350	Watts	95	151	203	247	283	283	283	283	
	1312 / 1343	1332 / 1264	1336 / 1174	1329 / 1068	1314 / 945	400	CFM	400	CFM/ton	400	CFM	1247	1266	1270	1263	1248	1248	1248	1248	
	171 / 178	236 / 210	296 / 235	349 / 250	392 / 251	450	Watts	440 / 325	CFM/ton	440 / 325	Watts	150	213	270	321	363	363	363	363	
	1408 / 1496	1425 / 1426	1429 / 1346	1423 / 1256	1410 / 1154	290	CFM	290	CFM/ton	290	CFM	1407	1423	1426	1421	1409	1409	1409	1409	
	206 / 238	274 / 273	337 / 301	393 / 319	440 / 325	370	Watts	440 / 325	CFM/ton	440 / 325	Watts	206	274	337	392	439	439	439	439	
	1565 / 1650	1579 / 1585	1584 / 1512	1580 / 1432	1569 / 1343	450	CFM	450	CFM/ton	450	CFM	1564	1578	1582	1578	1569	1569	1569	1569	
	274 / 312	348 / 348	416 / 378	477 / 398	529 / 407	290	Watts	529 / 407	CFM/ton	529 / 407	Watts	274	348	416	476	529	529	529	529	
	1186 / 1304	1208 / 1223	1213 / 1128	1206 / 1018	1189 / 887	370	CFM	337 / 233	CFM/ton	337 / 233	CFM	1185	1206	1210	1203	1187	1187	1187	1187	
	131 / 164	192 / 196	248 / 220	297 / 234	337 / 233	450	Watts	337 / 233	CFM/ton	337 / 233	Watts	131	192	248	297	337	337	337	337	
4 tons	1480 / 1514	1495 / 1444	1499 / 1365	1495 / 1277	1482 / 1177	370	CFM	350	CFM/ton	350	CFM	1407	1423	1426	1421	1409	1409	1409	1409	
	235 / 245	306 / 280	372 / 308	430 / 327	479 / 334	400	Watts	430 / 327	CFM/ton	430 / 327	Watts	206	274	337	392	439	439	439	439	
	1587 / 1689	1602 / 1625	1606 / 1554	1602 / 1475	1592 / 1399	450	CFM	1602 / 1475	CFM/ton	1602 / 1475	CFM	1587	1600	1604	1601	1592	1592	1592	1592	
	285 / 332	360 / 369	429 / 399	490 / 420	543 / 430	290	Watts	490 / 420	CFM/ton	490 / 420	Watts	285	360	428	490	543	543	543	543	
	1770 / 1873	1784 / 1813	1789 / 1747	1788 / 1675	1782 / 1597	450	CFM	1782 / 1597	CFM/ton	1782 / 1597	CFM	1770	1783	1788	1788	1782	1782	1782	1782	
	386 / 443	468 / 481	543 / 512	612 / 534	671 / 546	290	Watts	612 / 534	CFM/ton	612 / 534	Watts	385	467	543	611	671	671	671	671	
	1322 / 1431	1340 / 1358	1345 / 1274	1338 / 1179	1323 / 1069	370	CFM	1323 / 1069	CFM/ton	1323 / 1069	CFM	1321	1338	1342	1336	1322	1322	1322	1322	
	174 / 211	240 / 245	300 / 271	353 / 288	397 / 292	450	Watts	397 / 292	CFM/ton	397 / 292	Watts	174	240	300	352	396	396	396	396	
	1646 / 1667	1660 / 1602	1665 / 1530	1662 / 1451	1653 / 1363	400	CFM	1653 / 1363	CFM/ton	1653 / 1363	CFM	1564	1578	1582	1578	1569	1569	1569	1569	
	315 / 320	392 / 357	463 / 386	527 / 407	582 / 417	400	Watts	527 / 407	CFM/ton	527 / 407	Watts	274	348	416	476	529	529	529	529	
4.5 tons **†	1770 / 1873	1784 / 1813	1789 / 1747	1788 / 1675	1782 / 1597	400	CFM	1782 / 1597	CFM/ton	1782 / 1597	CFM	1770	1783	1788	1788	1782	1782	1782	1782	
	386 / 443	468 / 481	543 / 512	612 / 534	671 / 546	450	Watts	612 / 534	CFM/ton	612 / 534	Watts	385	467	543	611	671	671	671	671	
	1989 / 2099	2004 / 2042	2012 / 1980	2013 / 1913	2009 / 1842	290	CFM	2009 / 1842	CFM/ton	2009 / 1842	CFM	1989	2003	2011	2014	2011	2011	2011	2011	
	535 / 612	627 / 650	712 / 681	788 / 703	855 / 716	450	Watts	788 / 703	CFM/ton	788 / 703	Watts	534	626	711	788	856	856	856	856	
	1452 / 1557	1469 / 1489	1473 / 1413	1468 / 1327	1455 / 1231	290	CFM	1455 / 1231	CFM/ton	1455 / 1231	CFM	1452	1467	1471	1466	1454	1454	1454	1454	
	224 / 265	294 / 301	358 / 329	415 / 348	463 / 356	450	Watts	415 / 348	CFM/ton	415 / 348	Watts	224	294	358	415	463	463	463	463	
	1817 / 1826	1831 / 1765	1837 / 1698	1837 / 1624	1831 / 1544	370	CFM	1831 / 1544	CFM/ton	1831 / 1544	CFM	1723	1736	1741	1740	1734	1734	1734	1734	
	415 / 451	499 / 451	576 / 481	647 / 503	708 / 515	400	Watts	647 / 503	CFM/ton	647 / 503	Watts	357	437	511	578	636	636	636	636	
	1964 / 2073	1978 / 2015	1986 / 1953	1987 / 1886	1983 / 1814	450	CFM	1983 / 1814	CFM/ton	1983 / 1814	CFM	1964	1978	1985	1988	1985	1985	1985	1985	
	516 / 590	607 / 629	690 / 660	766 / 682	832 / 695	290	Watts	766 / 682	CFM/ton	766 / 682	Watts	515	606	690	766	833	833	833	833	
5 tons	2231 / 2347	2245 / 2292	2252 / 2233	2252 / 2171	2185 / 2104	450	CFM	2185 / 2104	CFM/ton	2185 / 2104	CFM	2232	2245	2252	2252	2186	2186	2186	2186	
	741 / 842	842 / 879	934 / 908	1015 / 930	1024 / 941	290	Watts	1015 / 930	CFM/ton	1015 / 930	Watts	741	842	934	1016	1023	1023	1023	1023	
	<ul style="list-style-type: none"> † Factory Setting ** Not an actual OD size Status LED will blink once per 100 CFM requested. In torque mode, actual airflow may be lower. Torque mode will reduce airflow when static is above approximately 0.4" water column. 																			
	TAM9A0C60 MINIMUM HEATING AIRFLOW CFM — HEATER MATRIX																			
	MODEL NO.	BAYEAC04BK1	BAYEAC08BK1	BAYEAC10BK1	BAYEAC10LG1	BAYEAC10LG3	BAYEABC15BK1	BAYEACB15LG3	BAYEABC20BK1	BAYEACC25BK1										
	TAM9A0C60	1063 / 1188	1063 / 1500	1125 / 1500	1000 / 1188	1000 / 1188	1125 / 1563	1250 / 1625	1500 / 1750	1625 / 1813										
	WITHOUT HEAT PUMP / WITH HP — SEE AIR HANDLER NAMEPLATE																			



HEATER ATTRIBUTE DATA

TAM9A0A24V21DA											
Heater Model No.	No. of Circuits	240 Volt					208 Volt				
		Capacity		Heater Amps per Circuit	Minimum Circuit Ampacity	Maximum Overload Protection	Capacity		Heater Amps per Circuit	Minimum Circuit Ampacity	Maximum Overload Protection
		kW	BTUH				kW	BTUH			
No Heater	0	-	-	3.5 **	4	15	-	-	3.5 **	4	15
BAYEAAC04+++1	1	3.84	13100	16.0	24	25	2.88	9800	13.8	22	25
BAYEAAC05+++1	1	4.80	16400	20.0	29	30	3.60	12300	17.3	26	30
BAYEAAC08+++1	1	7.68	26200	32.0	44	45	5.76	19700	27.7	39	40
BAYEAAC10+++1 ^(a)	1	9.60	32800	40.0	54	60	7.20	24600	34.6	48	50
BAYEAAC10LG3	1-3 PH	9.60	32800	23.1	33	35	7.20	24600	20.0	29	30

Note: ** Motor Amps

^(a) Heater not qualified for 208V when installed in horizontal left position without Heat Pump

TAM9A0B30V31DA											
Heater Model No.	No. of Circuits	240 Volt					208 Volt				
		Capacity		Heater Amps per Circuit	Minimum Circuit Ampacity	Maximum Overload Protection	Capacity		Heater Amps per Circuit	Minimum Circuit Ampacity	Maximum Overload Protection
		kW	BTUH				kW	BTUH			
No Heater	0	-	-	3.5 **	4	15	-	-	3.5 **	4	15
BAYEAAC04+++1	1	3.84	13100	16.0	24	25	2.88	9800	13.8	22	25
BAYEAAC05+++1	1	4.80	16400	20.0	29	30	3.60	12300	17.3	26	30
BAYEAAC08+++1	1	7.68	26200	32.0	44	45	5.76	19700	27.7	39	40
BAYEAAC10+++1	1	9.60	32800	40.0	54	60	7.20	24600	34.6	48	50
BAYEAAC10LG3	1-3 PH	9.60	32800	23.1	33	35	7.20	24600	20.0	29	30
BAYEABC15LG3	1-3 PH	14.40	42000	34.6	47	50	10.80	36900	30.0	41	45
BAYEABC15BK1 - Circuit 1 ^(a)	2	9.60	32800	40.0	54	60	7.20	24600	34.6	48	50
BAYEABC15BK1 - Circuit 2		4.80	16400	20.0	25	25	3.60	12300	17.3	22	25

Note: ** Motor Amps

^(a) MCA and MOP for circuit 1 contains the motor amps

TAM9A0C36V31DA											
Heater Model No.	No. of Circuits	240 Volt					208 Volt				
		Capacity		Heater Amps per Circuit	Minimum Circuit Ampacity	Maximum Overload Protection	Capacity		Heater Amps per Circuit	Minimum Circuit Ampacity	Maximum Overload Protection
		kW	BTUH				kW	BTUH			
No Heater	0	-	-	3.5 **	4	15	-	-	3.5 **	4	15
BAYEAAC04+++1	1	3.84	13100	16.0	24	25	2.88	9800	13.8	22	25
BAYEAAC05+++1	1	4.80	16400	20.0	29	30	3.60	12300	17.3	26	30
BAYEAAC08+++1	1	7.68	26200	32.0	44	45	5.76	19700	27.7	39	40
BAYEAAC10+++1	1	9.60	32800	40.0	54	60	7.20	24600	34.6	48	50
BAYEAAC10LG3	1-3 PH	9.60	32800	23.1	33	35	7.20	24600	20.0	29	30
BAYEABC15LG3	1-3 PH	14.40	42000	34.6	47	50	10.80	36900	30.0	41	45
BAYEABC15BK1 - Circuit 1 ^(a)	2	9.60	32800	40.0	54	60	7.20	24600	34.6	48	50
BAYEABC15BK1 - Circuit 2		4.80	16400	20.0	25	25	3.60	12300	17.3	22	25
BAYEABC20BK1 - Circuit 1 ^(a)	2	9.60	32800	40.0	54	60	7.20	24600	34.6	48	50
BAYEABC20BK1 - Circuit 2		9.60	32800	40.0	50	50	7.20	24600	34.6	43	45

Note: ** Motor Amps

^(a) MCA and MOP for circuit 1 contains the motor amps



HEATER ATTRIBUTE DATA

TAM9A0C42V41DA											
Heater Model No.	No. of Circuits	240 Volt					208 Volt				
		Capacity		Heater Amps per Circuit	Minimum Circuit Ampacity	Maximum Overload Protection	Capacity		Heater Amps per Circuit	Minimum Circuit Ampacity	Maximum Overload Protection
		kW	BTUH				kW	BTUH			
No Heater	0	-	-	3.5 **	4	15	-	-	3.5 **	4	15
BAYEAAC04++1	1	3.84	13100	16.0	24	25	2.88	9800	13.8	22	25
BAYEAAC05++1	1	4.80	16400	20.0	29	30	3.60	12300	17.3	26	30
BAYEAAC08++1	1	7.68	26200	32.0	44	45	5.76	19700	27.7	39	40
BAYEAAC10++1	1	9.60	32800	40.0	54	60	7.20	24600	34.6	48	50
BAYEAAC10LG3	1-3 PH	9.60	32800	23.1	33	35	7.20	24600	20.0	29	30
BAYEABC15LG3	1-3 PH	14.40	42000	34.6	47	50	10.80	36900	30.0	41	45
BAYEABC15BK1 - Circuit 1 (a)	2	9.60	32800	40.0	54	60	7.20	24600	34.6	48	50
BAYEABC15BK1 - Circuit 2		4.80	16400	20.0	25	25	3.60	12300	17.3	22	25
BAYEABC20BK1 - Circuit 1 (a)	2	9.60	32800	40.0	54	60	7.20	24600	34.6	48	50
BAYEABC20BK1 - Circuit 2		9.60	32800	40.0	50	50	7.20	24600	34.6	43	45

Note: ** Motor Amps

(a) MCA and MOP for circuit 1 contains the motor amps

TAM9A0C48V41DA											
Heater Model No.	No. of Circuits	240 Volt					208 Volt				
		Capacity		Heater Amps per Circuit	Minimum Circuit Ampacity	Maximum Overload Protection	Capacity		Heater Amps per Circuit	Minimum Circuit Ampacity	Maximum Overload Protection
		kW	BTUH				kW	BTUH			
No Heater	0	-	-	5.0 **	6	15	-	-	5.0 **	6	15
BAYEAAC04++1	1	3.84	13100	16.0	26	30	2.88	9800	13.8	26	30
BAYEAAC05++1	1	4.80	16400	20.0	31	35	3.60	12300	17.3	28	30
BAYEAAC08++1	1	7.68	26200	32.0	46	50	5.76	19700	27.7	41	45
BAYEAAC10++1	1	9.60	32800	40.0	56	60	7.20	24600	34.6	50	50
BAYEAAC10LG3	1-3 PH	9.60	32800	23.1	34	35	7.20	24600	20.0	31	35
BAYEABC15LG3	1-3 PH	14.40	42000	34.6	49	50	10.80	36900	30.0	43	45
BAYEABC15BK1 - Circuit 1 (a)	2	9.60	32800	40.0	56	60	7.20	24600	34.6	50	50
BAYEABC15BK1 - Circuit 2		4.80	16400	20.0	25	25	3.60	12300	17.3	22	25
BAYEABC20BK1 - Circuit 1 (a)	2	9.60	32800	40.0	56	60	7.20	24600	34.6	50	50
BAYEABC20BK1 - Circuit 2		9.60	32800	40.0	50	50	7.20	24600	34.6	43	45
BAYEACC25BK1 — Circuit 1 (a)	3	9.60	32800	40.0	56	60	7.20	24600	34.6	50	50
BAYEACC25BK1 — Circuit 2		9.60	32800	40.0	50	50	7.20	24600	34.6	43	45
BAYEACC25BK1 — Circuit 3		4.80	16400	20.0	25	25	3.60	12300	17.3	22	25

Note: ** Motor Amps

(a) MCA and MOP for circuit 1 contains the motor amps



HEATER ATTRIBUTE DATA

TAM9A0C60V51DA											
Heater Model No.	No. of Circuits	240 Volt					208 Volt				
		Capacity		Heater Amps per Circuit	Minimum Circuit Ampacity	Maximum Overload Protection	Capacity		Heater Amps per Circuit	Minimum Circuit Ampacity	Maximum Overload Protection
		kW	BTUH				kW	BTUH			
No Heater	0	-	-	6.4 **	8	15	-	-	6.4 **	8	15
BAYEAAC04++1	1	3.84	13100	16.0	28	30	2.88	9800	13.8	25	25
BAYEAAC05++1	1	4.80	16400	20.0	33	35	3.60	12300	17.3	30	30
BAYEAAC08++1	1	7.68	26200	32.0	48	50	5.76	19700	27.7	43	45
BAYEAAC10++1	1	9.60	32800	40.0	58	60	7.20	24600	34.6	51	60
BAYEAAC10LG3	1-3 PH	9.60	32800	23.1	36	40	7.20	24600	20.0	32	35
BAYEABC15LG3	1-3 PH	14.40	42000	34.6	50	50	10.80	36900	30.0	45	45
BAYEABC15BK1 - Circuit 1 (a) BAYEABC15BK1 - Circuit 2	2	9.60	32800	40.0	58	60	7.20	24600	34.6	51	60
		4.80	16400	20.0	25	25	3.60	12300	17.3	22	25
BAYEABC20BK1 - Circuit 1 (a) BAYEABC20BK1 - Circuit 2	2	9.60	32800	40.0	58	60	7.20	24600	34.6	51	60
		9.60	32800	40.0	50	50	7.20	24600	34.6	43	45
BAYEACC25BK1 (b) - Circuit 1 (a) BAYEACC25BK1 - Circuit 2 BAYEACC25BK1 - Circuit 3	3	9.60	32800	40.0	57	60	7.20	24600	34.6	51	60
		9.60	32800	40.0	50	50	7.20	24600	34.6	43	45
		4.80	16400	20.0	25	25	3.60	12300	17.3	22	25

Note: ** Motor Amps

(a) MCA and MOP for circuit 1 contains the motor amps

(b) Heater not qualified for 208V when installed in horizontal left position without Heat Pump

Note: See Product Data or Air Handler nameplate for approved combinations of Air Handlers and Heaters.

Note: Heater model numbers may have additional suffix digits.

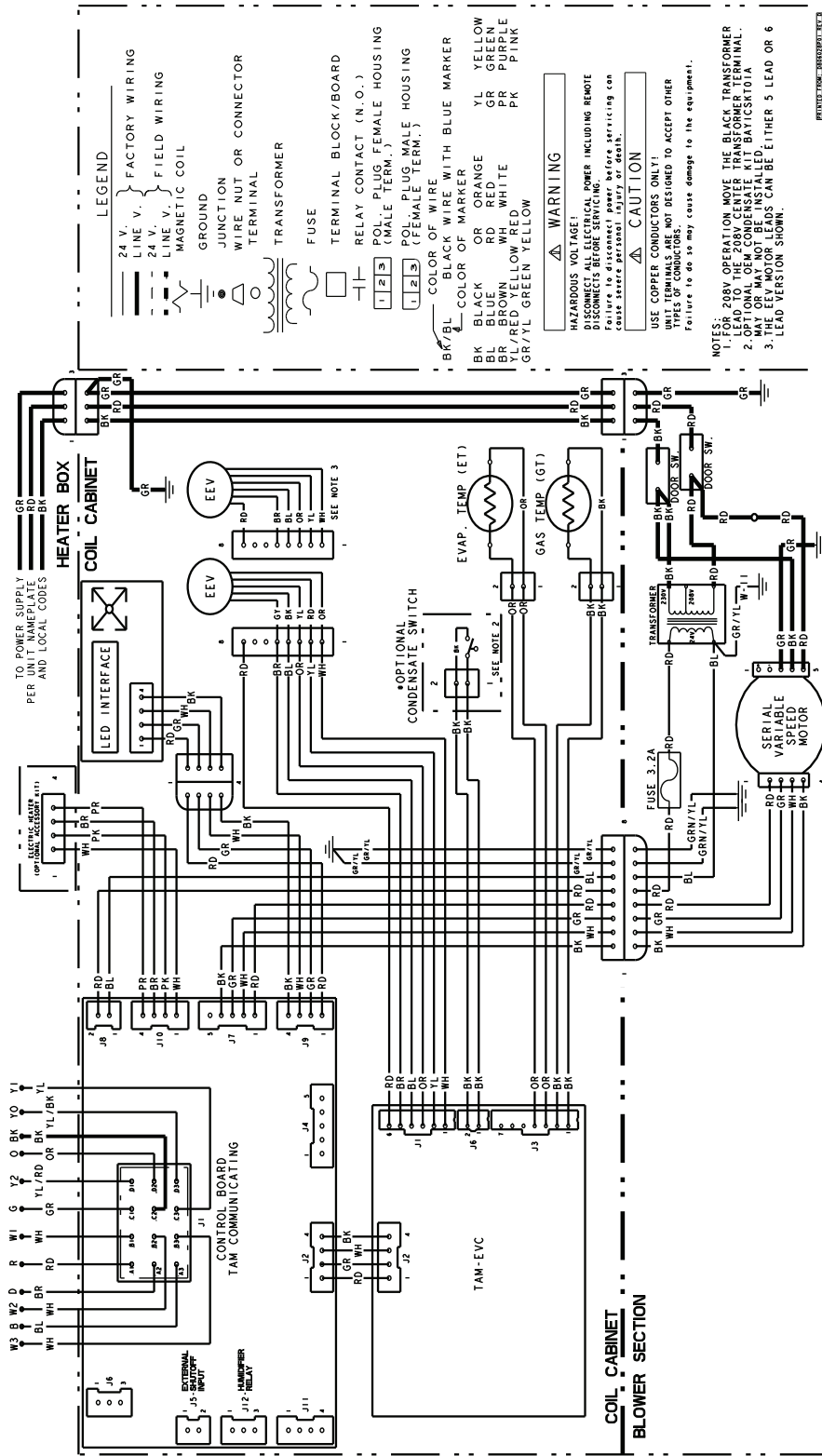


TAM9 Air Handler and Heater Matrix Allowable Combinations

APPROVED AIR HANDLER — HEATER COMBINATIONS						
HEATER MODEL NUMBER BAYEA-	AIR HANDLER MODEL NUMBER					
	TAM9A0A24V21DA	TAM9A0B30V31DA	TAM9A0C36V31DA	TAM9A0C42V41DA	TAM9A0C48V41DA	TAM9A0C60V51DA
AC04BK1 3.84 Kw BK	Y	Y	Y	Y	Y	Y
AC04LG1 3.84 Kw BK	Y	Y	Y	Y	Y	Y
AC05BK1 4.80 Kw BK	Y	Y	Y	Y	Y	Y
AC05LG1 4.80 Kw LG	Y	Y	Y	Y	Y	Y
AC08BK1 7.68 Kw BK	Y	Y	Y	Y	Y	Y
AC08LG1 7.68 Kw LG	Y	Y	Y	Y	Y	Y
AC10BK1 9.60 Kw BK	Y ^(a)	Y	Y	Y	Y	Y
AC10LG1 9.60 Kw LG	Y ^(a)	Y	Y	Y	Y	Y
BC15BK1 14.40 Kw BK	—	Y	Y	Y	Y	Y
BC20BK1 19.20 Kw BK	—	—	Y	Y	Y	Y
CC25BK1 24.00 Kw BK	—	—	—	—	Y	y ^(a)
AC10LG3 9.60 Kw LG	Y	Y	Y	Y	Y	Y
BC15LG3 14.4 Kw LG	—	Y	Y	Y	Y	Y

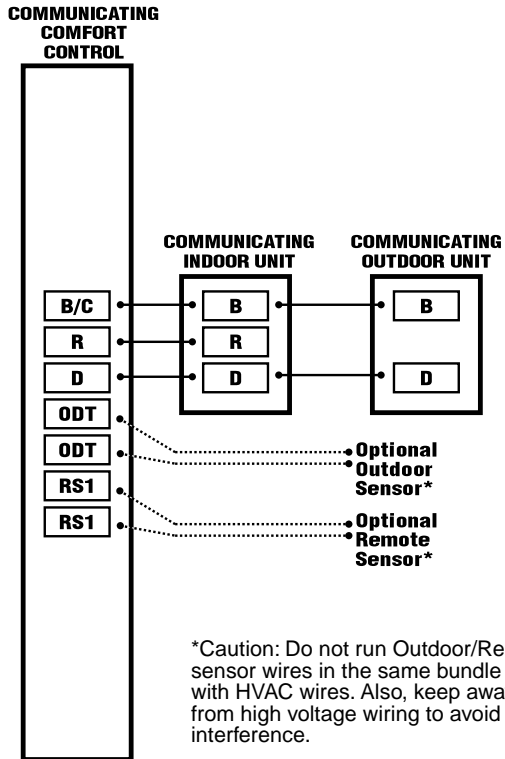
^(a) Heater is not qualified for 208V when installed in horizontal left position without HP.

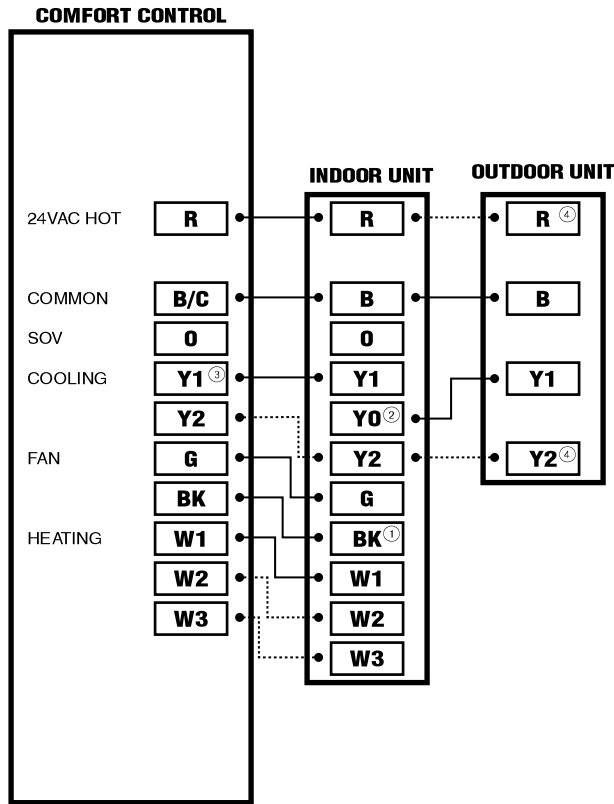
Wiring — D806028P01RevD for PD



Field Wiring

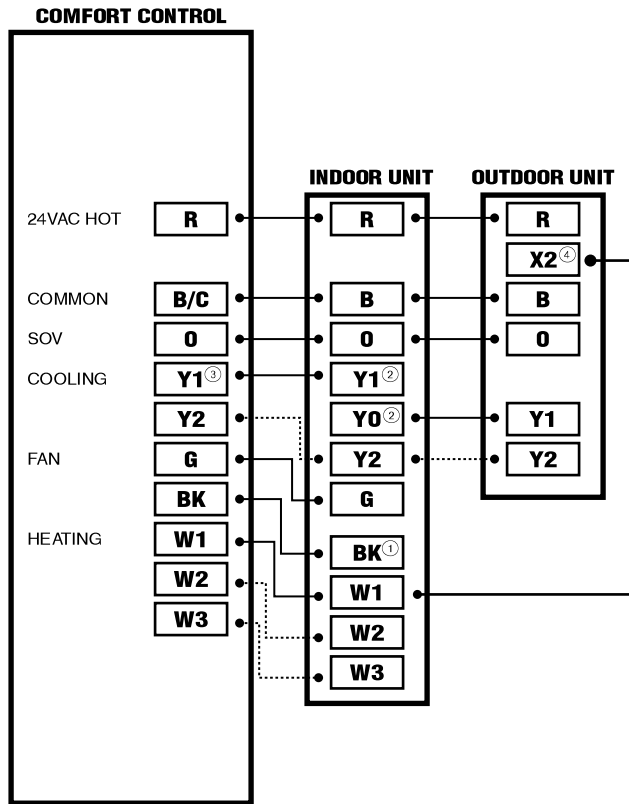
Communicating Controls Wiring Diagram



1 OR 2 STAGE COOLING WITH TAM9/TAMG VARIABLE SPEED AIR HANDLER

NOTES:

1. Cut the BK jumper on the AFC when using the BK functionality from the thermostat.
2. Y1 and Y0 connections must be made as shown for freeze protection and internally mounted condensate overflow circuits to function properly.
3. 3rd party condensate switches should break the Y1 circuit between the thermostat and AFC.
4. Y2 connections at outdoor unit are required only for two stage units.

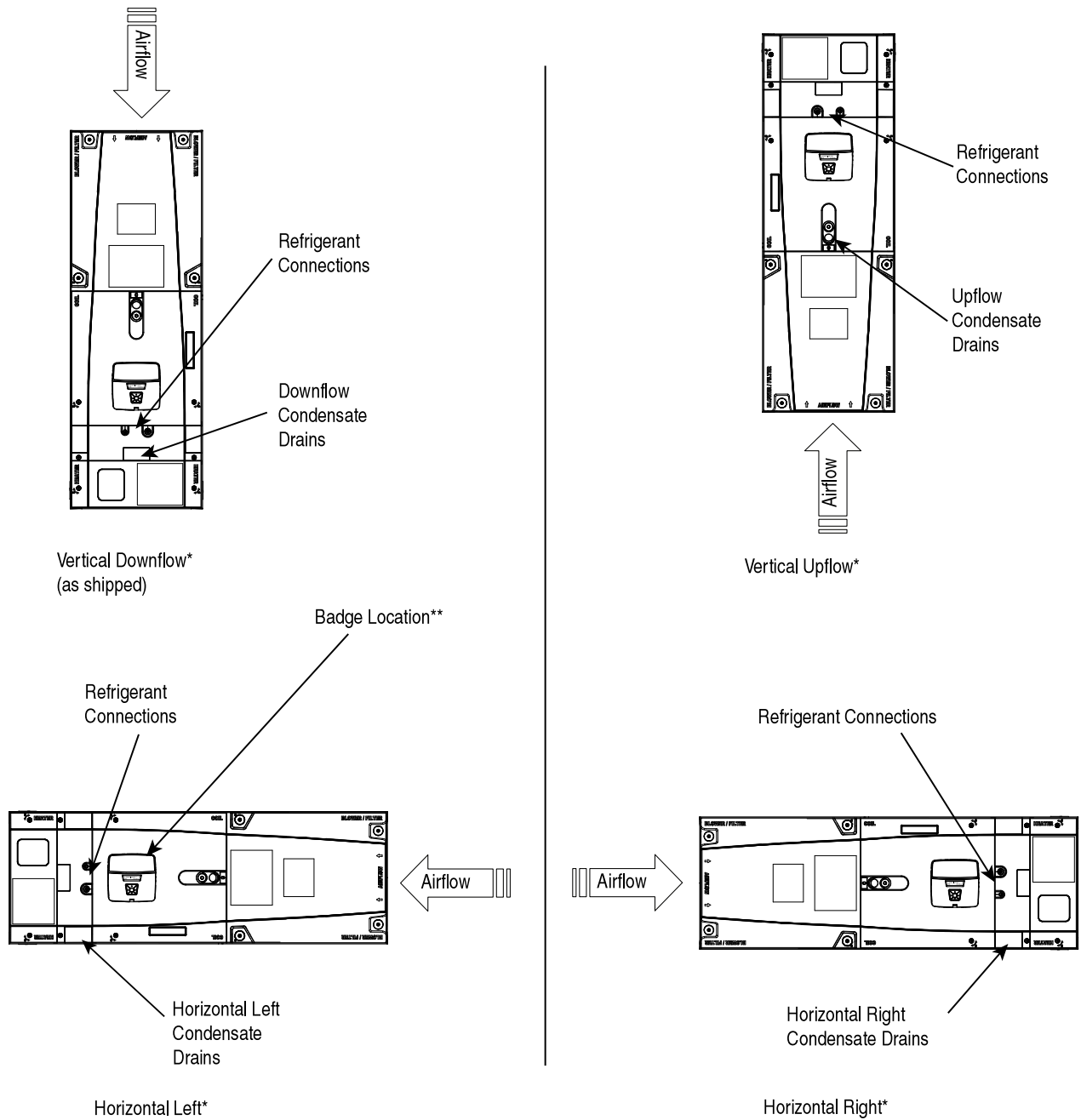
1 OR 2 STAGE HEAT PUMP WITH TAM9/TAMG VARIABLE SPEED AIR HANDLER



NOTES:

1. Cut the BK jumper on the AFC when using the BK functionality from the thermostat.
2. Y1 and Y0 connections must be made as shown for freeze protection and internally mounted condensate overflow circuits to function properly.
3. 3rd party condensate switches should break the Y1 circuit between the thermostat and AFC.
4. Connection to X2 is not required when using the 402, 624, 824, or relay panel controls.

Multi-position Air Handler



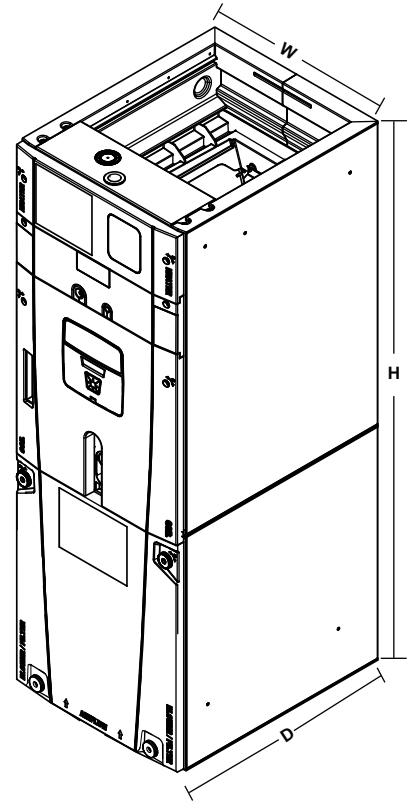
Note: * No internal modifications required for any position.
 ** CDA rotation will keep brand in correct position.



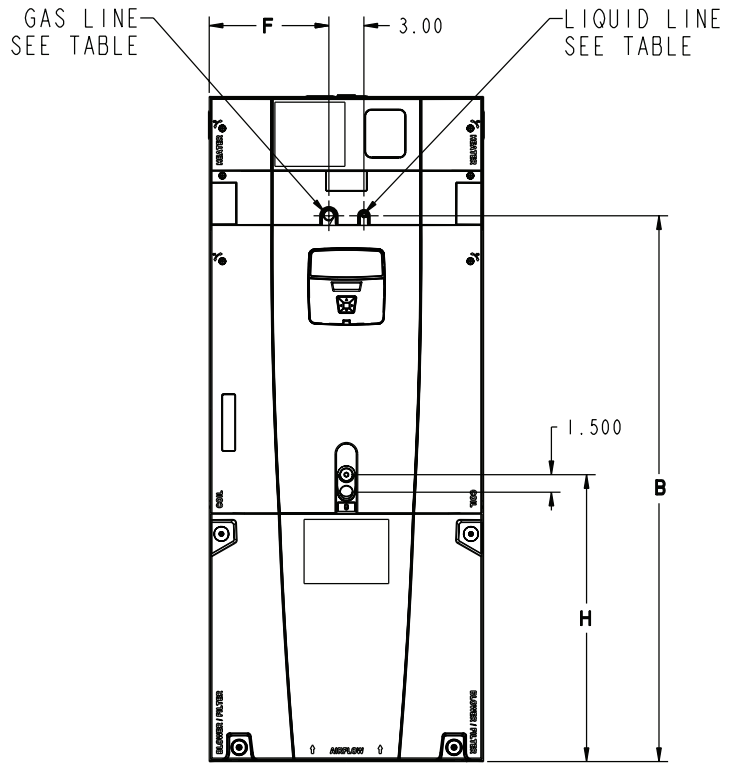
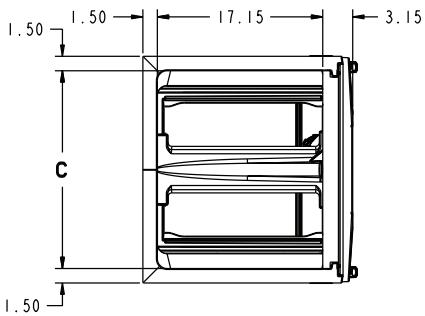
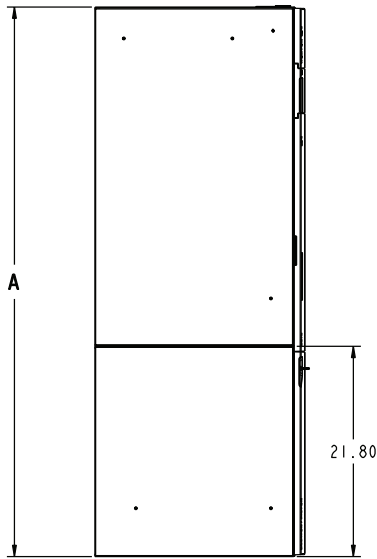
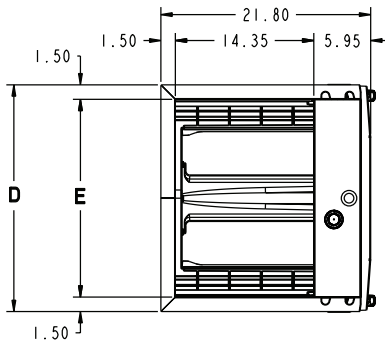
Unit Location Considerations

Table 1. Unit Dimensions and Weight

MODEL NUMBER	H x W x D (inches)	Coil and Heater Compartment Height * (inches)	Unit Net Weight (pounds)
TAM9A0A24V21DA	49.9 x 17.5 x 21.8	28.1	120
TAM9A0B30V31DA	55.7 x 21.3 x 21.8	33.9	133
TAM9A0C36V31DA	56.9 x 23.5 x 21.8	35.1	143
TAM9A0C42V41DA	56.9 x 23.5 x 21.8	35.1	158
TAM9A0C48V41DA	61.7 x 23.5 x 21.8	39.9	174
TAM9A0C60V51DA	61.7 x 23.5 x 21.8	39.9	178
* Blower compartment height is 21.8 inches.			



TAM9 OUTLINE DRAWING



	SERVICE CLEARANCE (RECOMMENDED)
SIDES	2"
FRONT	21"
BACK	0"
INLET DUCT	
OUTLET DUCT	

NOTE: THIS UNIT IS APPROVED FOR INSTALLATION CLEARANCES TO COMBUSTIBLE MATERIAL AS STATED ON THE UNIT RATING NAMEPLATE

Model Number	A	B	C	D	E	F	H	FLOW CONTROL	GAS LINE BRAZE	LIQ LINE BRAZE
TAM9A0A24H21DA	49.9	39.6	14.5	17.5	14.5	7.3	24.4	EEV	3/4	3/8
TAM9A0B30H31DA	55.7	45.5	18.4	21.3	18.4	9.2	24.8	EEV	3/4	3/8
TAM9A0C36H31DA	56.9	46.7	20.5	23.5	20.5	10.3	24.2	EEV	7/8	3/8
TAM9A0C42H41DA	56.9	46.7	20.5	23.5	20.5	10.3	24.5	EEV	7/8	3/8
TAM9A0C48H41DA	61.7	51.5	20.5	23.5	20.5	10.3	24.9	EEV	7/8	3/8
TAM9A0C60H51DA	61.7	51.5	20.5	23.5	20.5	10.3	24.9	EEV	7/8	3/8



SUBCOOLING ADJUSTMENT

System Matched with:	Indoor Unit Model No.	Outdoor Unit Model No.	Subcooling
Single Compressor 2-Stage HP	TAM9A0B30V21DA	4A6H6024E/G, 4TWX6024E/G 4A6H7024, 4TWX8024	9 °
	TAM9A0B36V31DAA	4A6H6036E/G, 4TWX6036E/G 4A6H7036, 4TWX8036	10 °
	TAM9A0C48V41DA	4A6H6048E/G, 4TWX6048E/G 4A6H7048, 4TWX8048	8 °
Single Compressor 2-Stage AC	TAM9A0B30V21DA	4A7A6024E/G, 4TTX6024E/G 4A7A7024, 4TTX8024	8 °
	TAM9A0C36V31DA	4A7A6036E/G, 4TTX6036E/G 4A7A7036, 4TTX8036	8 °
	TAM9A0C48V41DA	4A7A6048E/G, 4TTX6048E/G 4A7A7048, 4TTX8048	8 °
Two Compressor 2-Stage HP	TAM9A0B30V21DA	4A6Z0024A, 4TWZ0024A,	9 °
	TAM9A0C36V31DA	4A6Z0036A/B, 4TWZ0036A/B	10 °
	TAM9A0C48V41DA	4A6Z0048A/B 4TWZ0048A/B	12 °
	TAM9A0C60V51DA	4A6Z0060A, 4TWZ0060A	12 °
Two Compressor 2-Stage HP	TAM9A0B30V21DA	4A7Z0024A, 4TTZ0024A	9 °
	TAM9A0C36V31DA	4A7Z0036A/B, 4TTZ0036A/B	11 °
	TAM9A0C48V41DA	4A7Z0048A/B, 4TTZ0048A/B	12 °
Notes:			
1. Variable Speed Outdoor units must be charged per the outdoor unit instructions.			
2. All other matches must be charged per the nameplate charging instructions.			



Ingersoll Rand (NYSE: IR) advances the quality of life by creating comfortable, sustainable and efficient environments. Our people and our family of brands — including Club Car®, Ingersoll Rand®, Thermo King® and Trane® — work together to enhance the quality and comfort of air in homes and buildings; transport and protect food and perishables; and increase industrial productivity and efficiency. We are a global business committed to a world of sustainable progress and enduring results.



ingersollrand.com



Ingersoll Rand has a policy of continuous product and product data improvements and reserves the right to change design and specifications without notice.
We are committed to using environmentally conscious print practices.